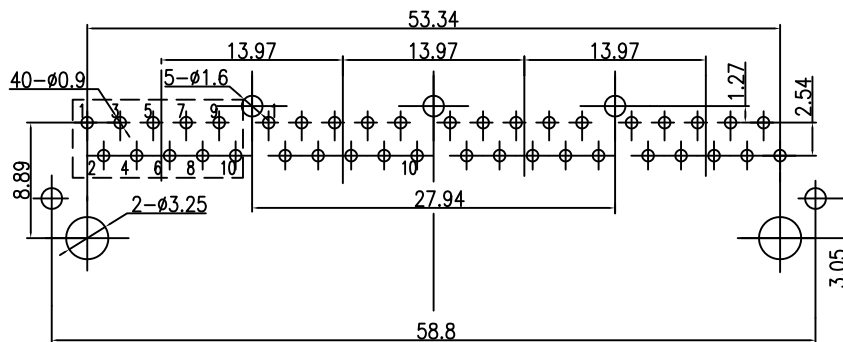
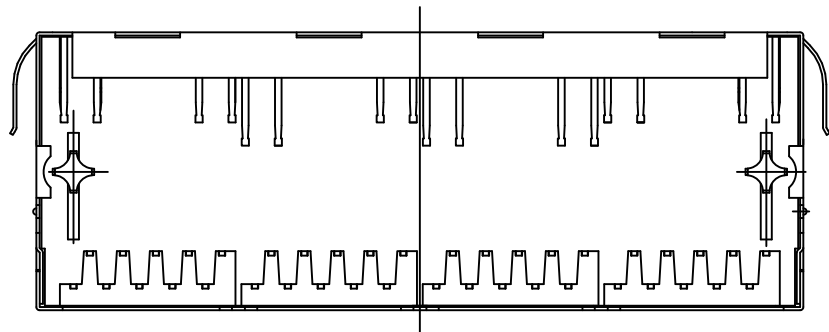


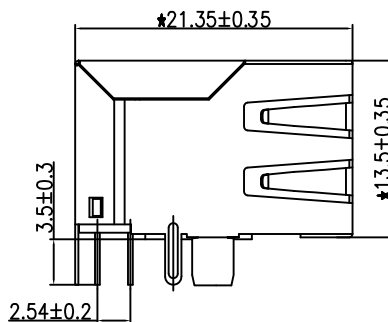
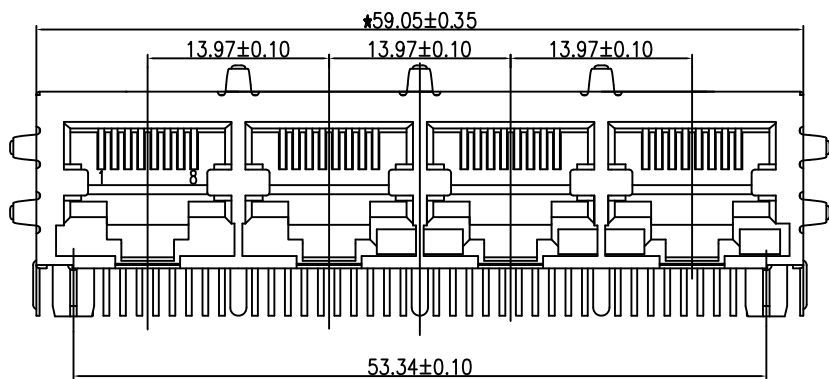
REACH & RoHS
COMPLIANT

RoHS

REV.	ECN / DESCRIPTION	BY	DATE
A0	NEW	MQ.QU	2018.05.31



PCB BOARD LAYOUT



Specification:

- 1:TOLERANCES UNLESS OTHERWISE SPECIFIED :
0~10±0.15, 10~20±0.2, 20~40±0.25,
40~70±0.3, ≥70±0.4
- 2:JACK CAVITY CONFORMS TO FCC RULES AND
REGULATIONS,PART 68 SUBPART F.



东莞市涪程电子科技有限公司
DONG GUAN FU CHENG ELECTRONIC TECHNOLOGY Co., LTD

TITLE:

RJ45 带灯带弹左绿右黄 1*4PORT 10-100M POE

SIZE

A4

UNITS

MM[INCH]

GENERAL TOLERANCES

UNLESS SPECIFIED

APPROVED BY:

JP.Gong

PART NO.:

FCRJ45-(FP4-01)D033D2

SACLE

1:1

REV

A0

$x \pm 0.35$

$x \pm 0.30$

$.xx \pm 0.25$

$.xxx \pm 0.10$

$x^\circ \pm 3.0^\circ$

$.x^\circ \pm 2.0^\circ$

$.xx^\circ \pm 1.5^\circ$

$.xxx^\circ \pm 1.0^\circ$

CHECKED BY:

TW.Xu

DESIGND BY:

MQ.Qu



REACH & RoHS
COMPLIANT

RoHS Compliant

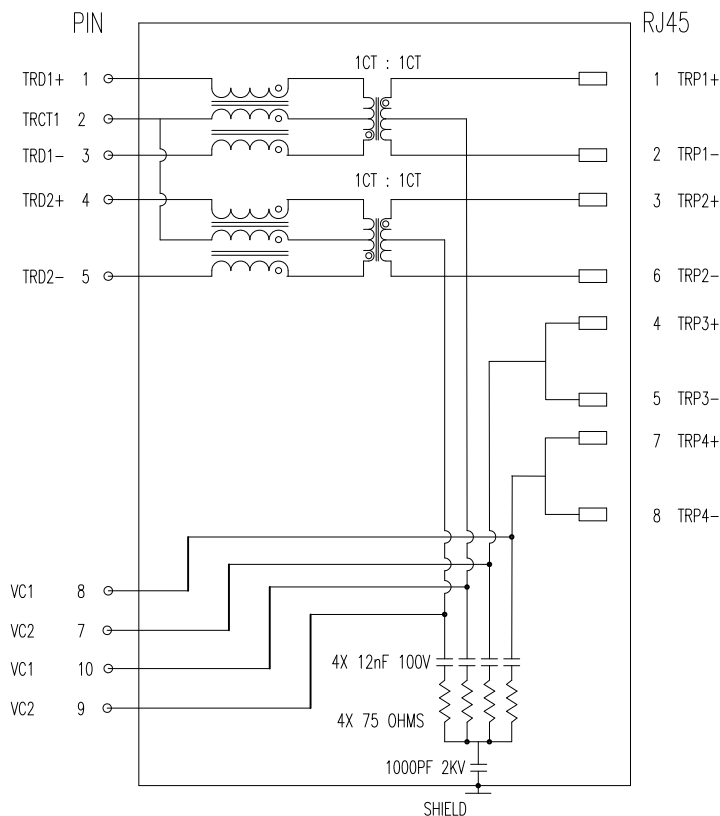
REV.	ECN / DESCRIPTION	BY	DATE
A0	NEW	MQ.QU	2018.05.31

Schematics:
Transmitter & Receiver Filter:

1. Insertion Loss (dB MAX)
1~100MHz -1.0
2. Return Loss at 100W(dB MIN)
1~30MHz -18
30~60MHz -16
60~80MHz -12
3. Common Mode Rejection
1~100 MHz: -30dB MIN
4. Cross Talk
1~100 MHz: -35dB MIN
5. Inductance:
350uH MIN @100KHz/ 0.1V, 8mA DC BIAS
6. HiPot Test: 1500Vrms(or 2250VDC), 60sec
7. LED: Forward Voltage (V)@ 20mA
Typical :2.2 / MAX :2.6

ELECTRICAL SPECIFICATIONS AT 25 °C

Insertion Loss dB max	Return Loss dB min			Crosstalk(db TYP)			Common Mode Rejection (dB TYP)		Hipot(vrms)
	1-100MHz	1-30MHz	30- 60MHz	60- 100MHz	1-30MHz	30- 60MHz	60- 100MHz	1-50MHz	
-1.0	-18	-16	-12	-40	-35	-30	-30	-20	1500/0.5mA



东莞市涪程电子科技有限公司
DONG GUAN FU CHENG ELECTRONIC TECHNOLOGY Co., LTD

TITLE:
RJ45 带灯带弹左绿右黄 1*4PORT 10-100M POE

SIZE
A4

UNITS
MM[INCH]

GENERAL TOLERANCES
UNLESS SPECIFIED

APPROVED BY:
JP.Gong

PART NO.:
FCRJ45-(FP4-01) D033D2

SACLE
1:1

REV
A0

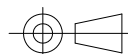
.x±0.35
.x±0.30

x°±3.0°
.x°±2.0°

CHECKED BY:
TW.Xu

REMARK:

SHEET
1/1



.xx±0.25
.xxx±0.10

.xx°±1.5°
.xxx°±1.0°

DESIGN BY:
MQ.Qu